

Composite Objects

A composite object is made up of two or more distinct objects. The strategy for finding the surface area and volume of composite objects is as follows:

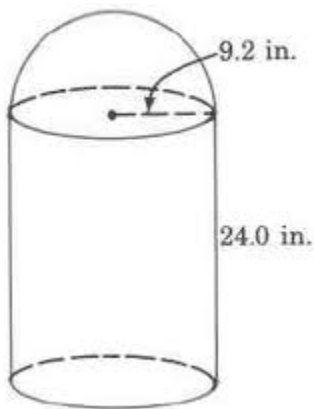
Volume

1. Identify each object
2. Calculate the volume of each object
3. Add all of these volumes

Surface Area

1. Identify each object
2. Determine the faces that make up the surface area
3. Calculate the area of these faces
4. Add all of these areas

Example 1: Finding the Volume of a Composite Object



Example 2: Finding the Surface Area of a Composite Object

